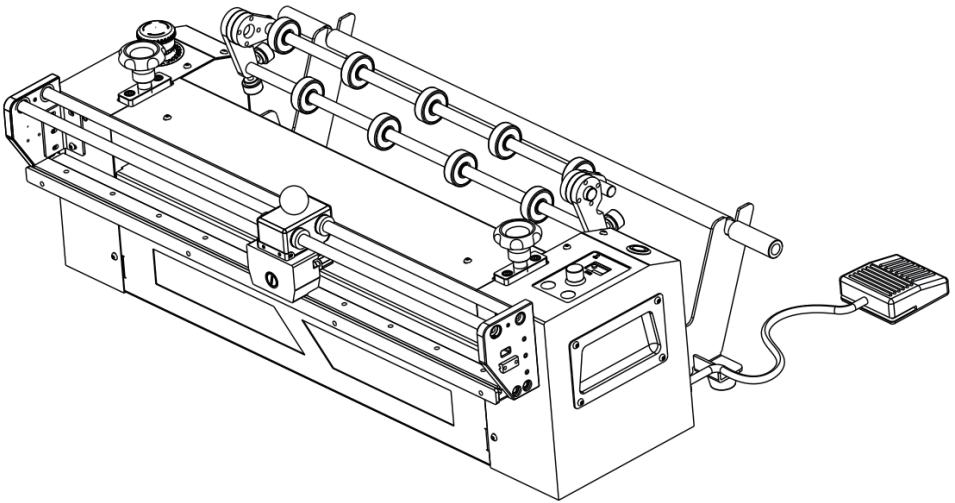


# FWE Bubble Paper Pressing Machine User Manual



**Before installing and using the product, please read the User Manual carefully and keep it properly.**

# Preface

- Thank you for choosing our products. We will provide you with high-quality products and reliable after-sales service.
- To ensure the personal safety of users and the integrity of the equipment, please be sure to read this Manual.

## Special Notes

- This User Manual shall not be used as a basis for making any claims against our Company.
- Our Company reserves the right to interpret this User Manual.

## Product Usage

FWE bubble paper pressing machine is a simple and easy-to-use machine with concise and clear operating interface and easy operation. With metal housing, the machine features more sturdy structure and compact size and exquisite appearance. With wide range of applicability, it is a cost-effective choice for small factories, warehouses and shops. Formed kraft paper is adopted to package the product or fill the inner box. It can effectively increase the speed of packaging products and reduce the labor intensity of operators.

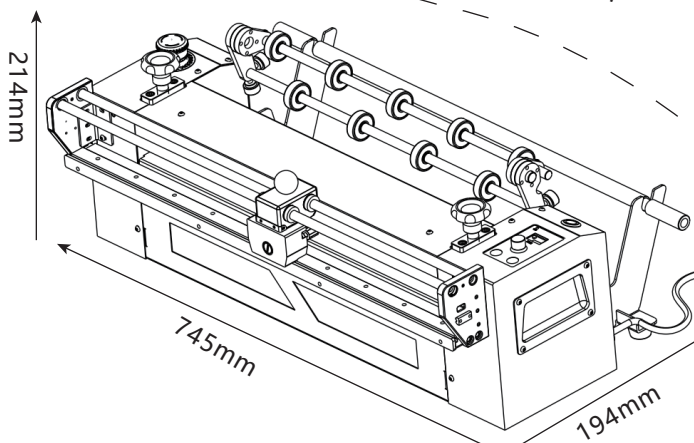
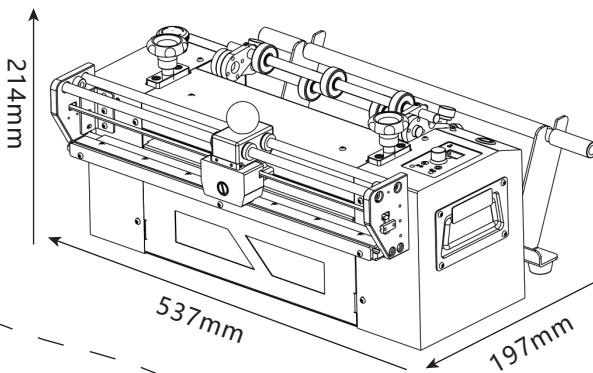
## Special Notes

- Small size, saving space;
- Simple operation, convenient and practical;
- Strong, durable, stable and shockproof;
- Good buffering performance, energy saving and eco-friendly;

# Product parameters

Product name	Bubble Paper Pressing Machine	
Product Model	FWE340	FWE540
Supply voltage (V/Hz)	110V~220V/50~60Hz	
Power consumption (W)	210W	
Machine weight (kg)	27.5kg	31.5kg
Dimensions LxWxH (mm)	537×194×214MM	745×194×214MM
Maximum speed (m/min)	15m/min	
Environmental Conditions	Temperature: 5~40°C; Humidity: < 85%RH	

FWE340



FWE540

# Precautions

1. Do not use it in a humid environment;

2. Before operation, please note the followings:

- If the machine is not properly grounded, it may cause electric shock.

- Do not remove protective cover or access cover. It should be opened only by the service personnel of our company or authorized dealer.

- Keep fingers, hair, clothing and jewelry away from the paper cutter during operation or loading of materials to avoid entanglement or cuts.

- Before using the machine, clean the dust scraps in the cutter slot (prolong the service life of the cutter)

3. When the machine is working, prohibit hard metal from entering the machine to avoid damaging the internal roller and affecting the best effect of the machine. If the machine is damaged due to the above conditions, this matter is not covered by the warranty.

4. When stopping operation, turn the switch to the STOP position before turning off the Power Supply switch.

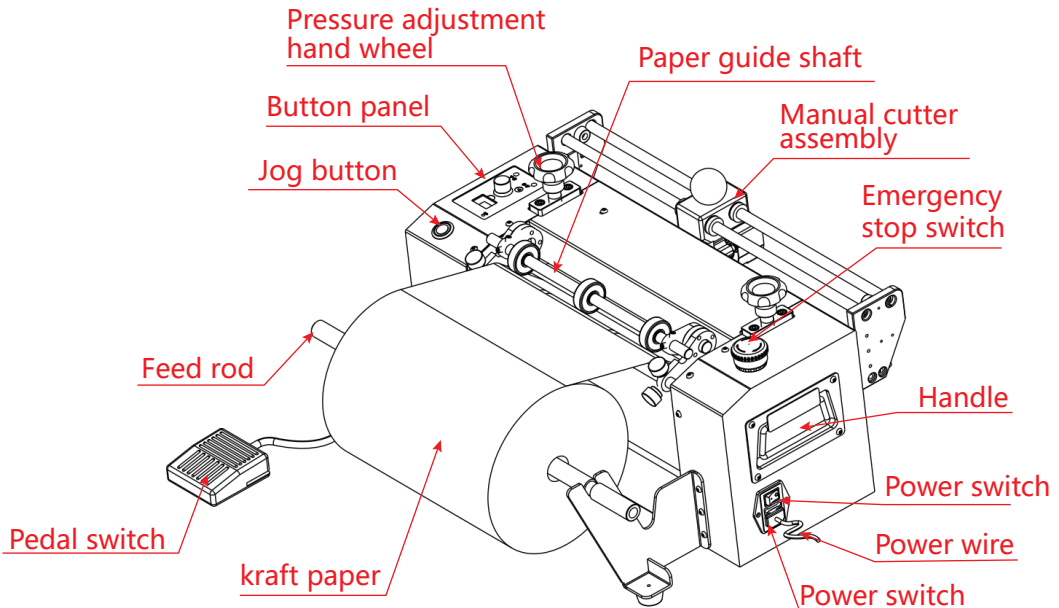


Figure 1 (Full view of the machine)

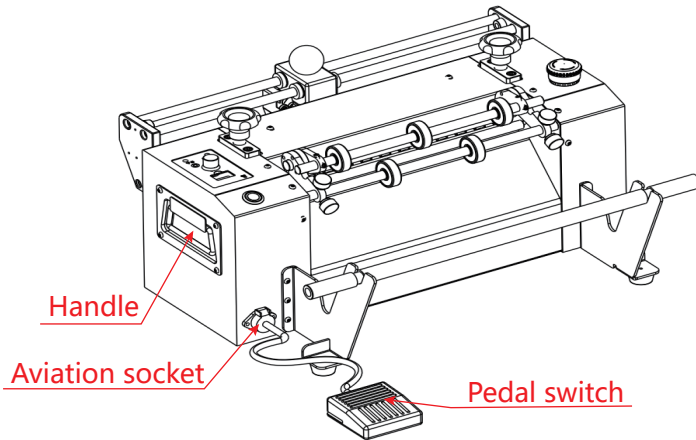
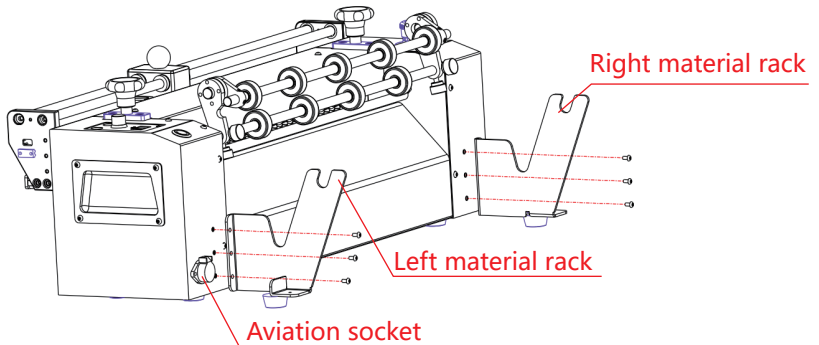


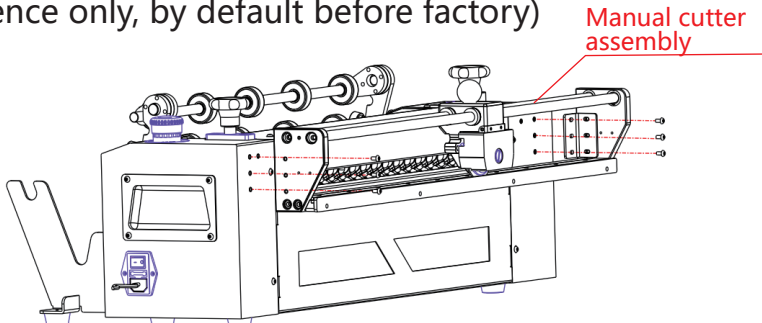
Figure 2 (Full view of the machine)

# Product Installation

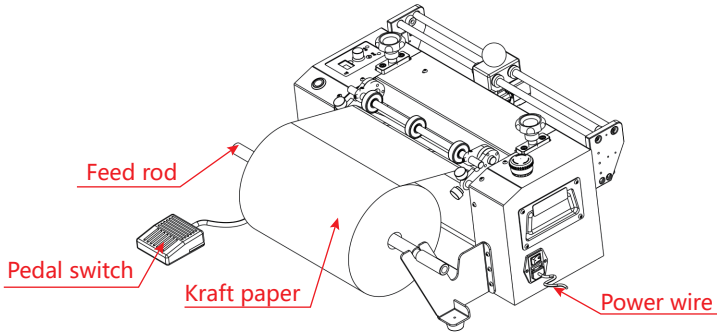
## 1. Install the material rack



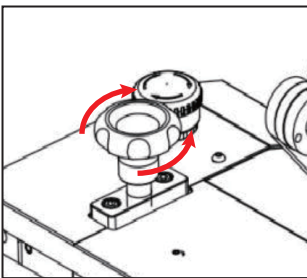
## 2. Install the manual cutter set behind the machine for picture (for reference only, by default before factory)



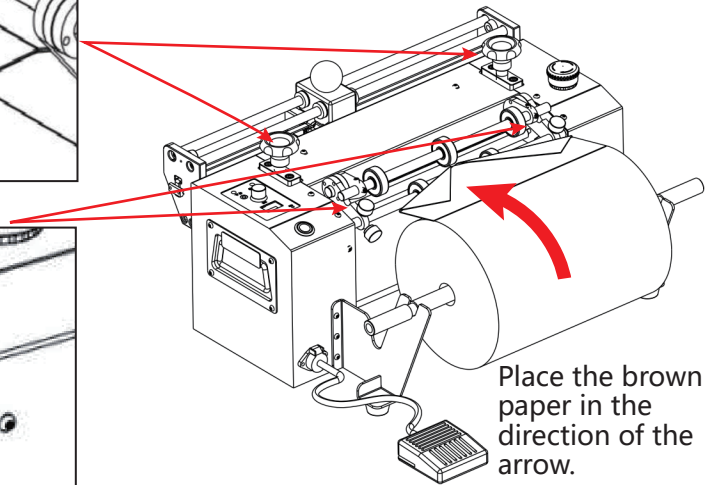
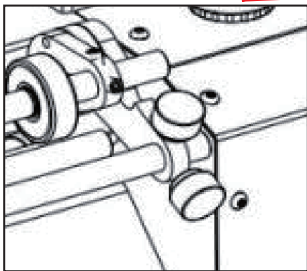
3. Put the kraft paper into the feeding rod and put it on the material rack, plug in the foot switch,
4. After the power cord, turn on the power switch.
5. Circle the kraft paper into the guide rod and push it into the machine and pull it close to the roller shaft.
6. Click into the paper key, let the kraft paper into the roller roll, observe the effect of kraft paper pressing, meet the requirements, the next operation;
7. Press the start button, and the machine starts to run automatically.



## Product operation

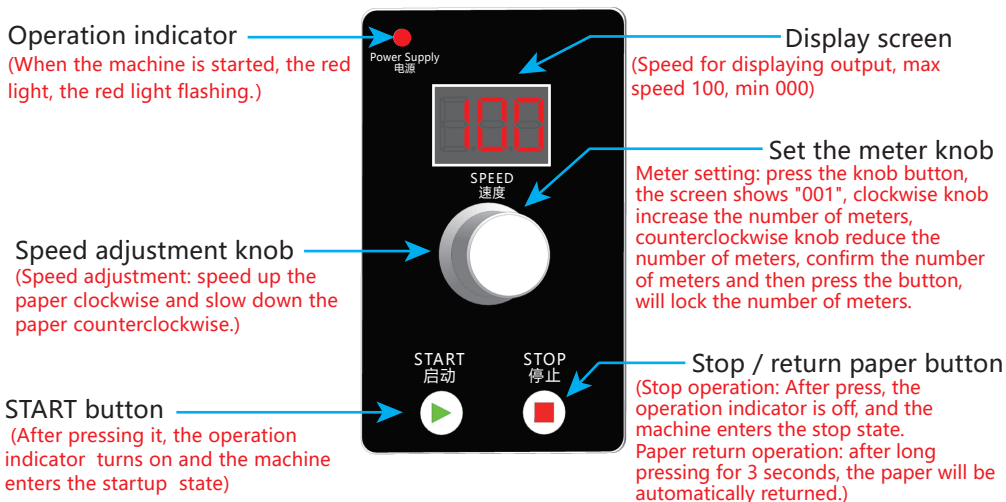


Turn clockwise to adjust deep pressure bubble and counterclockwise to adjust shallow pressure bubble



Place the brown paper in the direction of the arrow.

The plum screws on both sides of the paper orientation need to be adjusted appropriately to avoid affecting the flatness of the paper orientation.



# Maintenance

## 1. Preventive maintenance

Warning: When maintaining or repairing the machine, be sure to turn off the machine and unplug the main power wire from the socket.

Maintenance cycle	Content	Description
Once a week	Checking and cleaning	1. Open the protective cover of the machine and blow away the dust and debris inside; 2. Check machine parts for abnormal wear.
Every year	Contact	1. Arrange once on-site inspection; 2. Contact the authorized dealer or our technical service representative to check the equipment.

## Parts List

Parts List					
Name	Unit	Quantity	Name	Unit	Quantity
2.5mm inner hexagon wrench	Each	1	User Manual	Each	1
3mm inner hexagon wrench	Each	1	Power wire	Pc	1
4mm inner hexagon wrench	Each	1	Discharge rack	Each	2
Pedal switch	Each	1	Filling rod	Set	2
Remarks:					


# Warranty Card and Certificate of Conformity

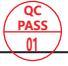
Warranty Card		Warranty Terms
Product Model:	FWE340 FWE540	<p>Dear client, Thank you for purchasing our products. In order to protect your legal rights and interests and relieve your worries, and to improve after-sales service to customers, we have specially formulated this warranty regulation. Please read it carefully and provide valuable opinions and suggestions to us.</p> <p>I. Our products enjoy a 12-month free warranty service from the date of sale. If the product warranty period exceeds 12 months from the date of sale, our Company will charge the cost of parts at its discretion depending on the product failure.</p> <p>II. Please pack the product properly when sending it for repair. Our Company will not be responsible if the product is damaged or lost during transportation.</p> <p>III. During the free warranty period, in case of the following circumstances, our Company has the right to refuse service or charge material and service fees at its discretion.</p> <p>1. Improper use by the user causes product failure or damage;            2. Accidents caused by electric shock or burning due to improper installation;            3. Damage caused by repairs by someone other than the maintenance service provider;            4. The product label is damaged;</p> <p>IV. Please read the User Manual carefully before installing and using our products.</p> <p>V. Please have the seller stamp and date the warranty card to ensure your rights.</p> <p>VI. Cutting cutters are worn parts and are not covered by the warranty.</p>
Date of Sale:		
Dealer:		
<p>*This Certificate will only be effective after being affixed with the official seal of our Company</p>		

## Product Conformity Certificate

Name: FWE Bubble paper pressing machine

Model: FWE340/FWE540

Inspection :  \_\_\_\_\_

Instpector:  \_\_\_\_\_

Date: \_\_\_\_\_

This product has been inspected and is allowed to leave the factory as qualified